

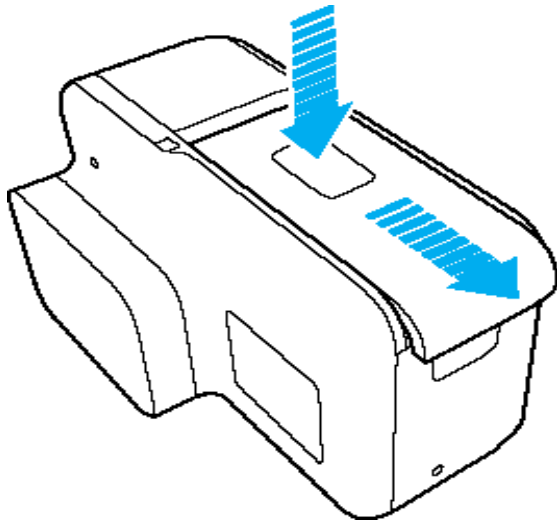


What is the GoPro HERO 5?

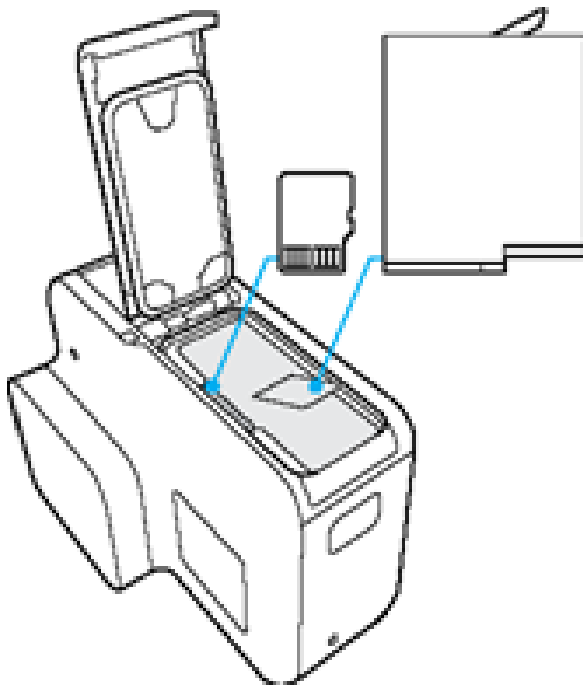
The GoPro Hero 5 is an action camera that is designed to record video while you're in motion doing any kind of activity. The camera is small and comes with straps and clips to attach it to you head, chest, any platform etc. to record while you're walking, cycling, etc.

Preparing the GoPro HERO 5

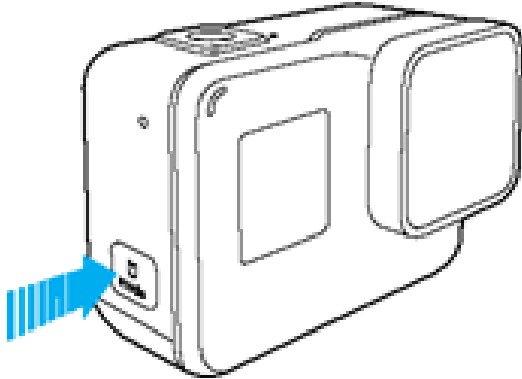
1. Open the battery door. (NOTE: The camera is not waterproof when this door is open)



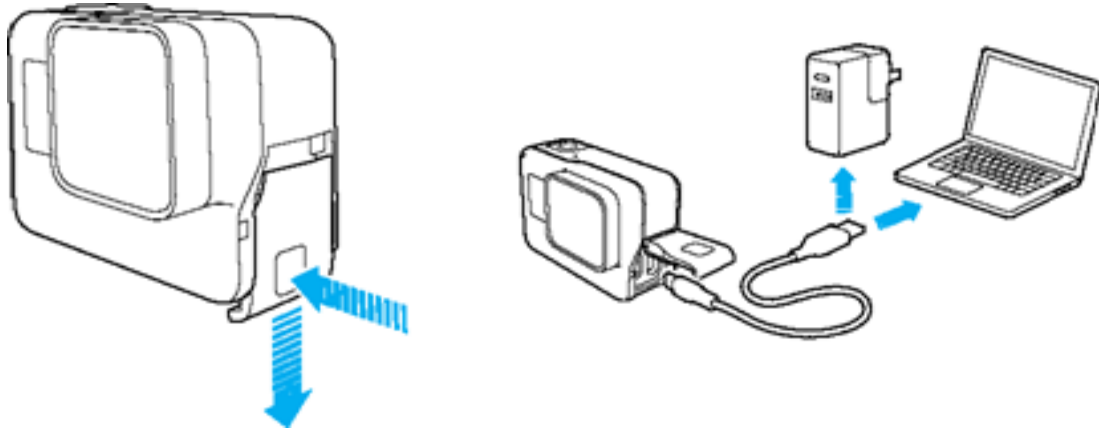
2. Insert the microSD and the battery if they aren't already and then close the door.



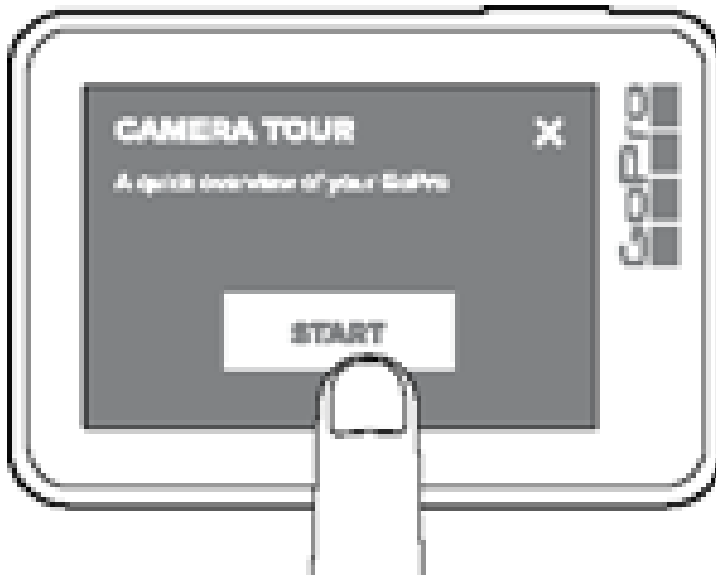
3. Turn on the Camera by pressing the power button



4. Open the side door and connect the cable to charge the Go Pro.

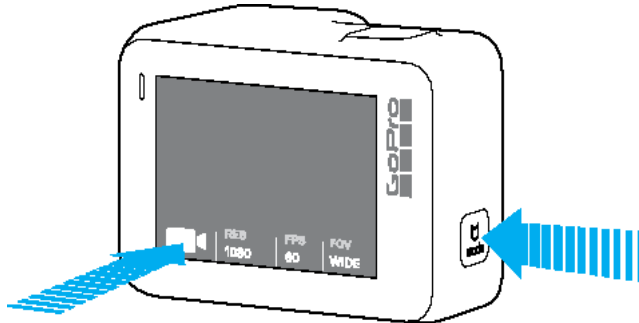


5. Take the Camera Tour to learn about the camera.

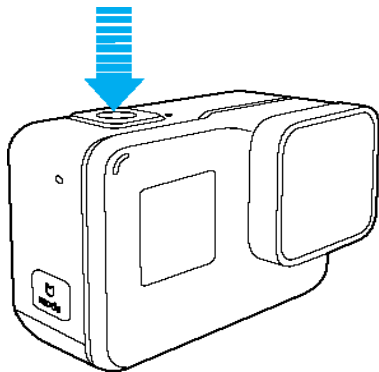


Taking Pictures and Video with the Go Pro

1. Select the desired camera mode with the touch display or mode button



2. Press the shutter button to start and stop recording



Voice Control

1. Swipe down on the screen, then tap on Preferences and choose On Camera Voice Control.



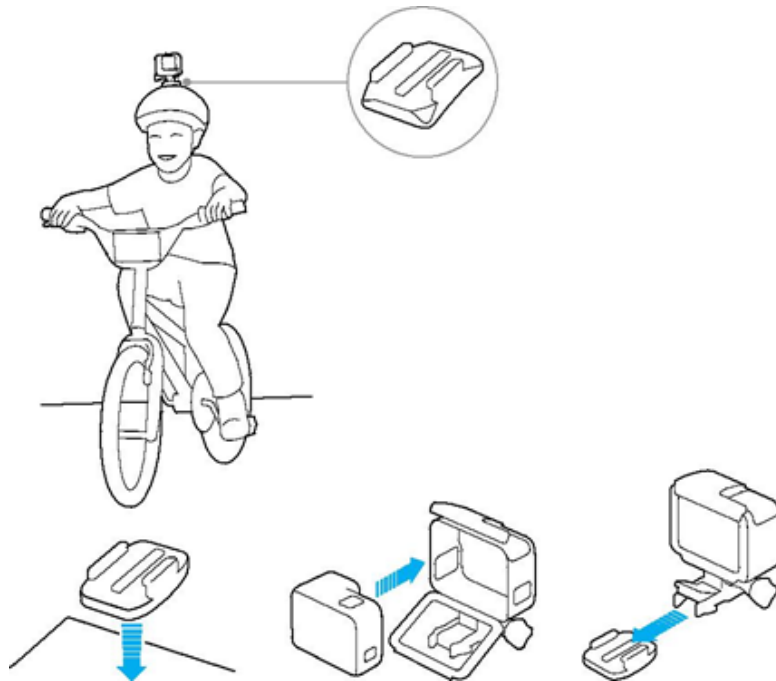
2. Select a language. For English or Spanish be sure to choose your dialect.
3. Tap On.
4. Say a command:

- a. Go Pro start recording
- b. Go Pro stop recording
- c. Go Pro take a photo

To See all the commands, go to preferences and choose List of Commands

Camera Mounting

The kit comes with mounts that you can attach the camera to and place on your head or chest. The camera can slip into the mount to stay in place.



Apps

GoPro Quik is an app you can download onto your smartphone to transfer videos from the GoPro onto the smartphone and edit the video. You can download the app from the Google Play Store on Android or App Store on iPad and iPhone.